

## ULV2P Exhaust air diffuser

Rectangular exhaust diffuser with rectangular connections. Protects the duct system from precipitation.

**Features:**

- Low design
- Long vertical exhaust pattern
- Solid structure
- Low pressure loss
- Low sound level
- Unique form
- Can be installed directly in a roof transition

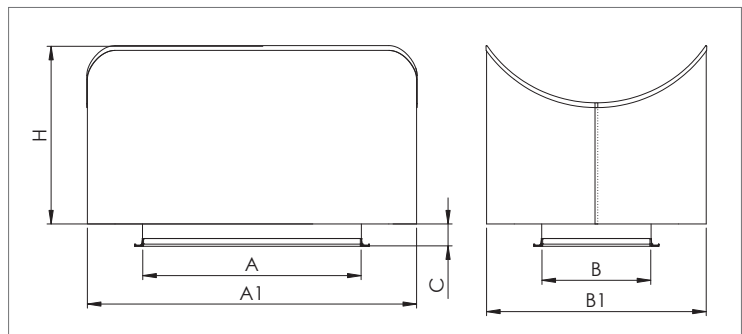


**Application**

Exhaust air is blown vertically up with low pressure loss and high speed through the unit. This ensures that odours and dirt in exhaust air will not fall on the area around the exhaust diffuser. Design of the unit efficiently prevents rainwater from entering duct. Rainwater is drained onto the roof from the base of the unit.

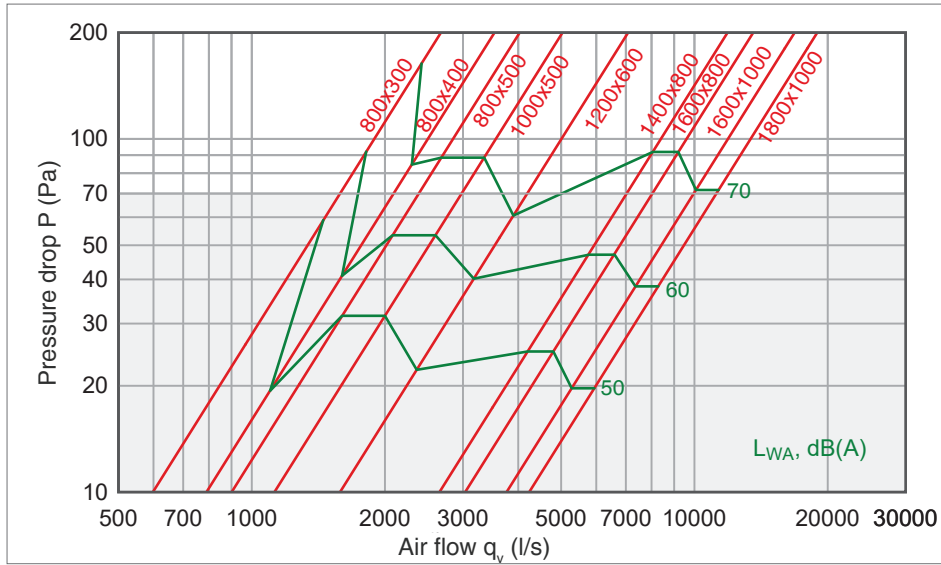
**Material, dimensions and technical data**

ULV2P is manufactured of zinc-magnesium coated sheet steel, DX51D+ZM310. As standard the ULV2P is equipped with europrofile E30. Can also be manufactured of other materials and in coated finish.



Nominal size	A, mm	B, mm	A1, mm	B1, mm	H, mm	C, mm	Weight, kg
800x300	800	300	1100	600	450	100	35
800x400	800	400	1200	800	650	100	48
800x500	800	500	1300	1000	800	100	62
1000x500	1000	500	1500	1000	800	100	72
1200x600	1200	600	1800	1200	1000	100	109
1400x800	1400	800	2100	1500	1100	100	115
1600x800	1600	800	2300	1500	1100	100	145
1600x1000	1600	1000	2200	1600	1200	100	155
1800x1000	1800	1000	2400	1600	1200	100	170

**Pressure drop - Air flow - Exhaust air**



Sound pressure level $L_{pA}$									
Distance L (m)	1	3	5	10	15	20	25	30	40
Attenuation $\Delta L$ (dB)	7	17	22	28	31	34	36	37	40

7

Total sound pressure level to environment can be approximated for different distances with the following formula:

$$L_{pA} = L_{WA} - \Delta L$$

**Product codes**

<b>ULV2P</b> Marking	<b>A x B</b> Duct dimensions	<b>E30</b> Duct connection E30 - europrofile 30 mm KL - roof transition + dimensions
-------------------------	---------------------------------	--

**Example: ULV2P 800x300-E30**

**Material codes**

- Standard material zinc-magnesium coated sheet steel (DX51D+ZM310).
- Zn – galvanized steel (DX51D+Z275), (standard EVS-EN 10346:2015 )
- H – acid-proof steel (standards EVS-EN 10088-2:2014, EN 1.4436 or AISI 316)
- Al – aluminium (standards EVS-EN 485-1:2016, 5754 [AlMg3])
- RAL colour, when coated