

**TECEprofil urinal module for external flush valve, installation height 1120 mm**

Article number: 9320010

DU 1: 1 pc.
DU 2: 10 pc.
DU 3: 60 pc.

Description:

To hold external flush valves. To attach to TECEprofil section tubes or to install in metal or wooden post-and-beam walls and as pre-wall or corner module.

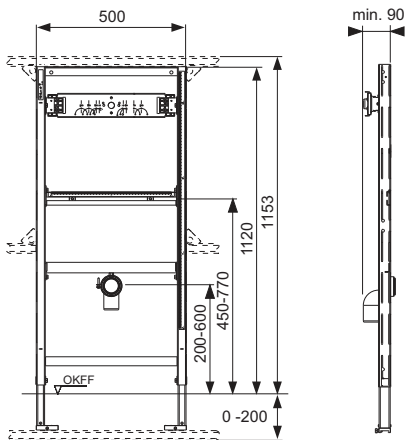
Completely pre-assembled unit, consisting of:

- Self-supporting mounting frame, powder coated
- Two adjustable supports for floor constructions between 0-200 mm
- Two M 8 retaining bolts
- Continuously adjustable fixing rails
- Continuously height-adjustable drain connection
- DN 50 high-temperature drain bend incl. protective plug
- Mounting material for urinal

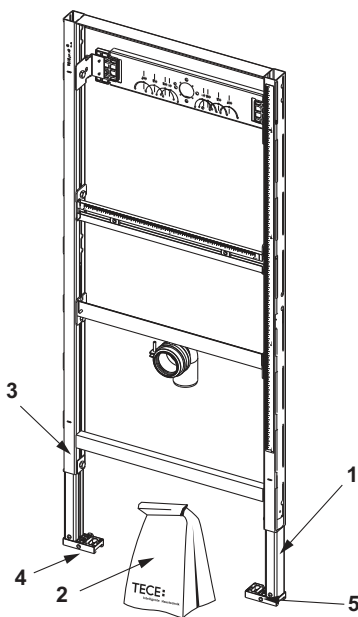
Sales data:

Product name: TECEprofil urinal module for external flush valve
Commodity group: 900
Product group: 2009000010

Dimensional drawings:



Spare parts:



- | | | |
|---|---------|--|
| 1 | 9820335 | C-section for module foot |
| 2 | 9820079 | By-pack for wall-mounted urinal module (mounting material, etc.) |
| 3 | 9820447 | Foot brake with steel spring |
| 4 | 9820332 | Module foot with toggle left |
| 5 | 9820333 | Module foot with toggle right |